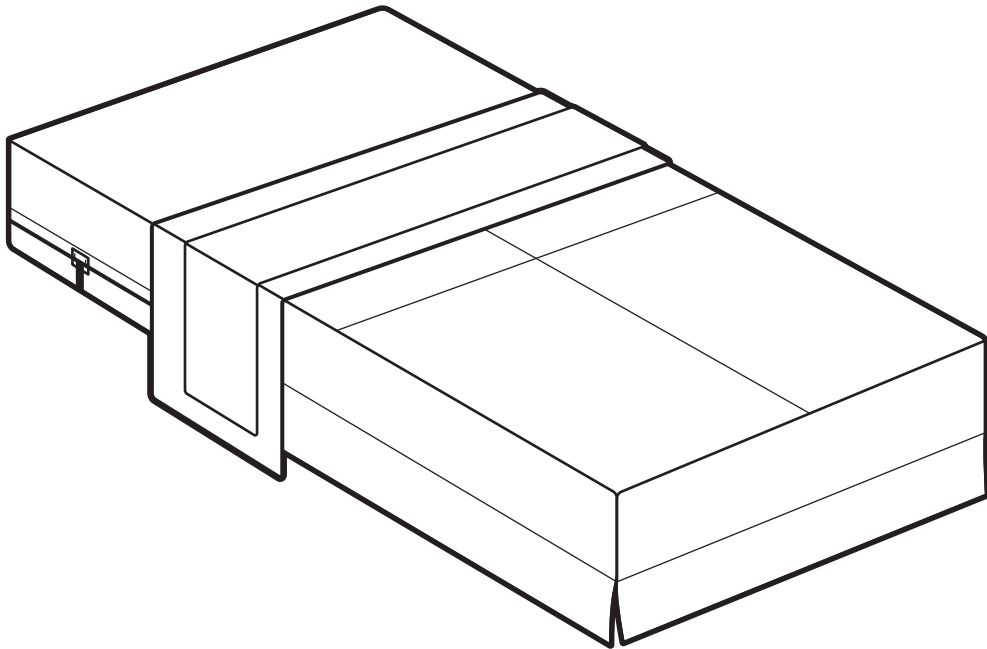


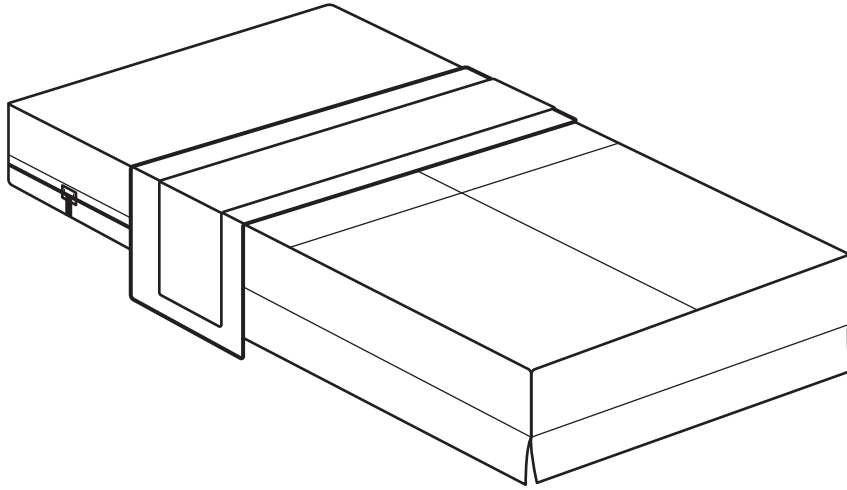
NeatComfort

Bedding Simplified

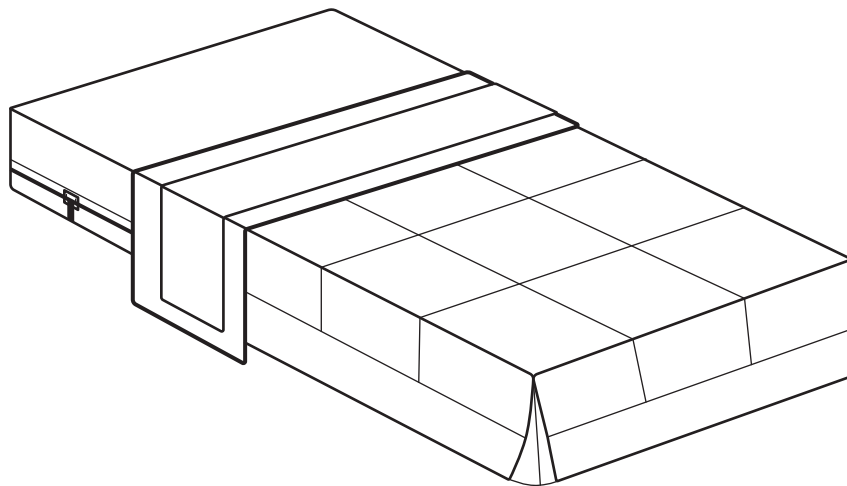


Installation Manual

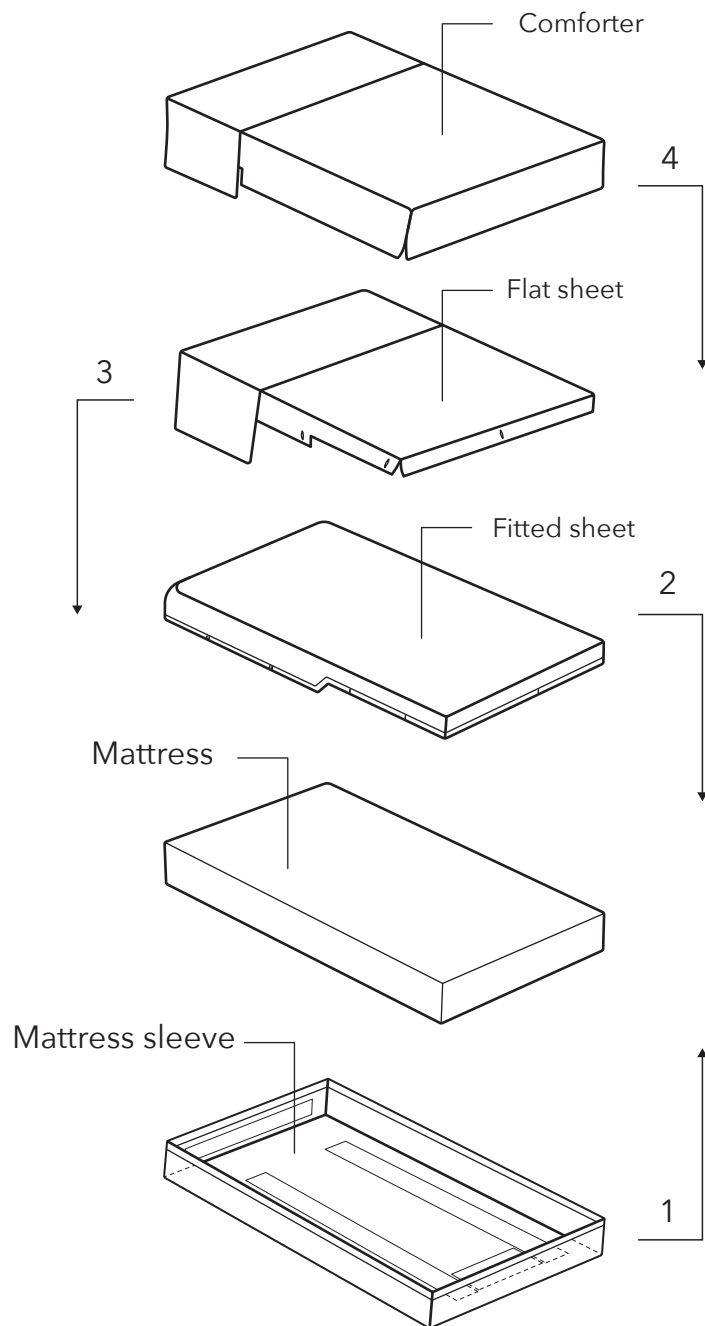
Modern Design



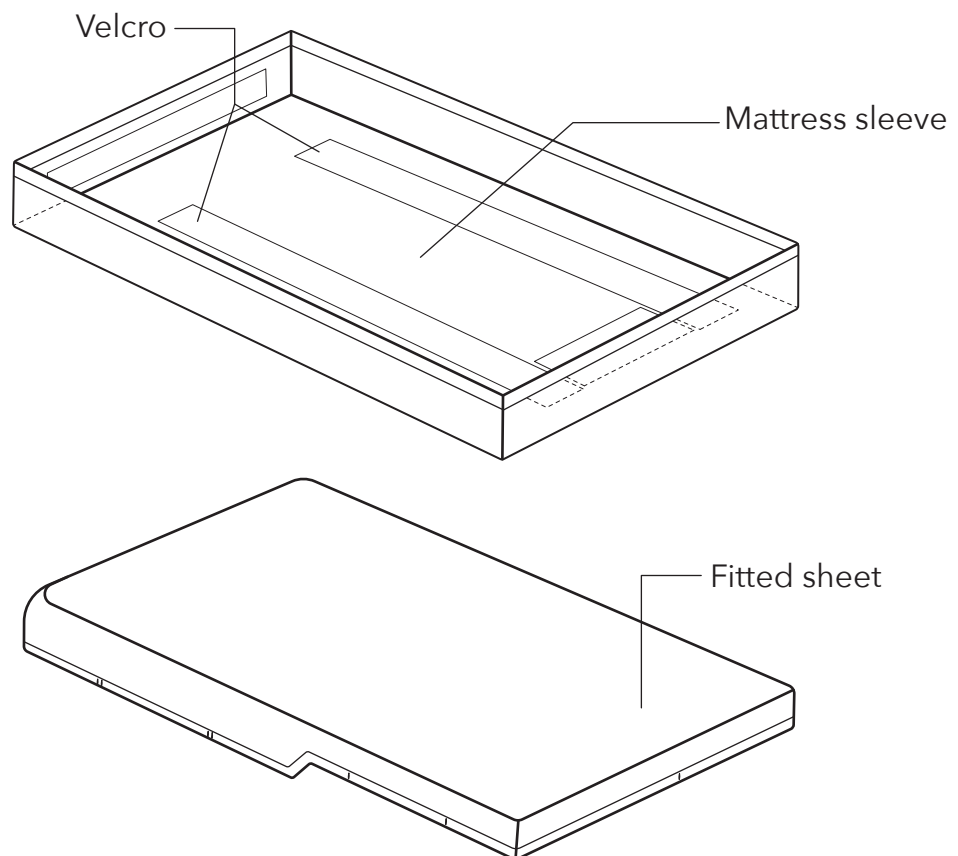
Classic Design



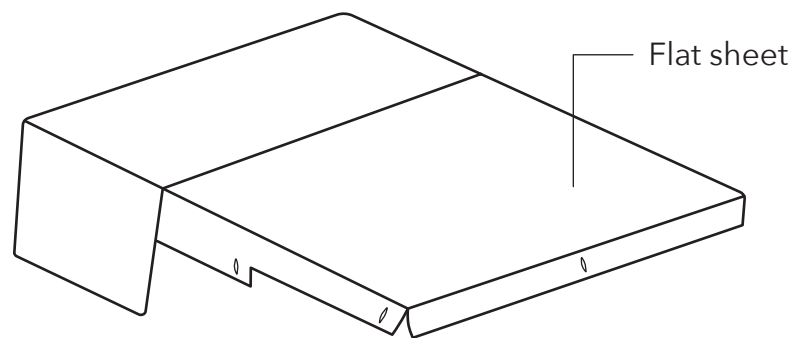
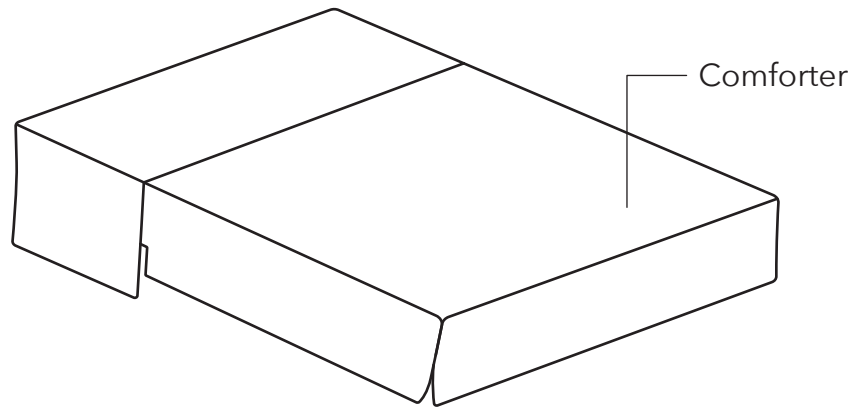
Comforter System Assembly



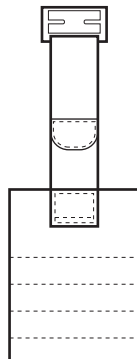
System Parts



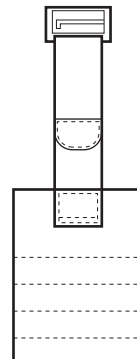
System Parts



"H" Anchor



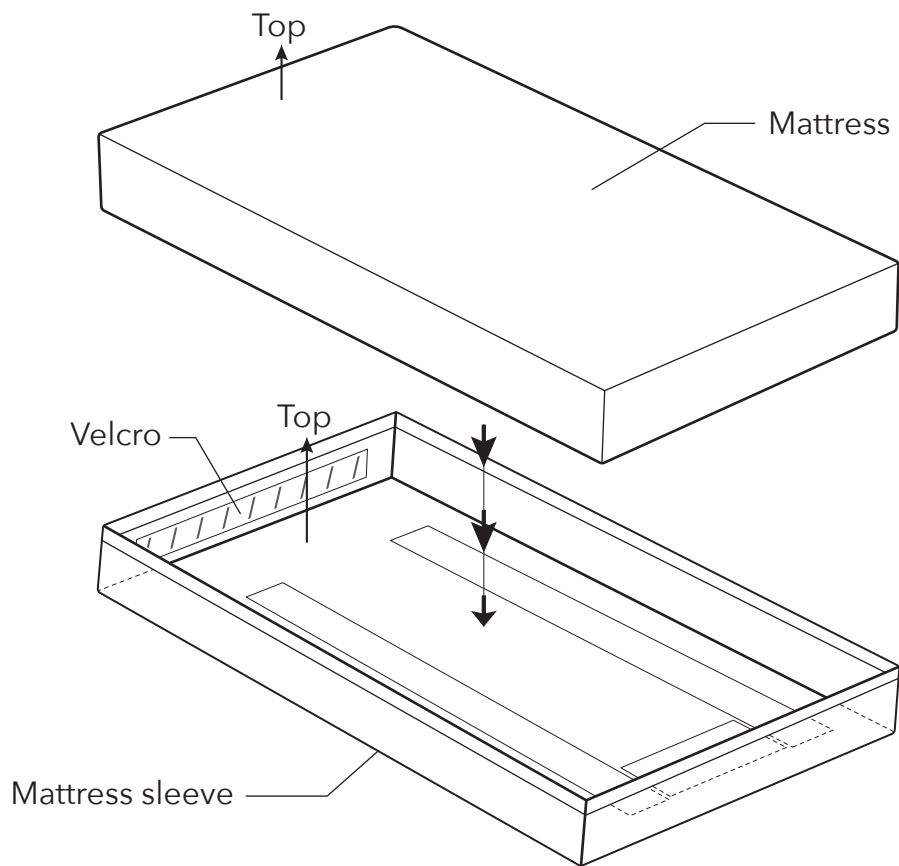
"G" Anchor



Assembly Step

1. Insert Mattress into Mattress Sleeve

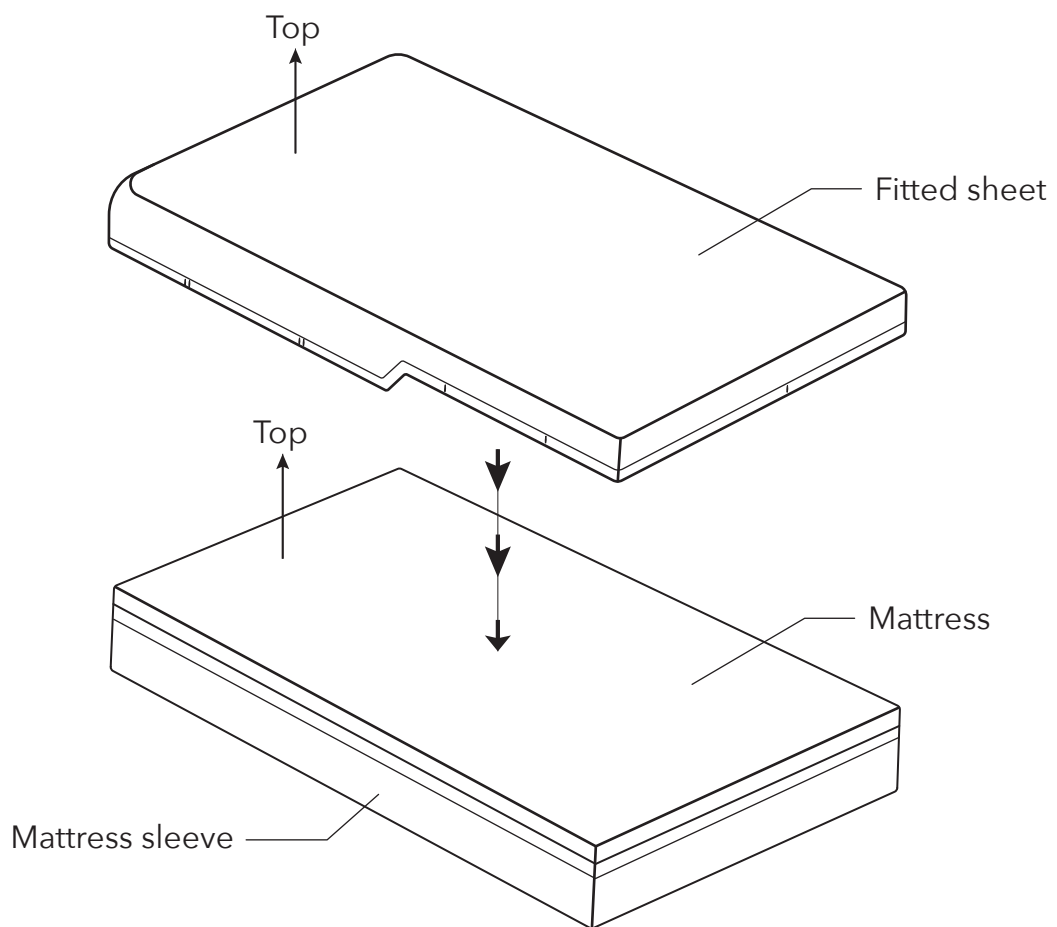
- Make sure the horizontal Velcro strip faces the head of the mattress.



Assembly Step

2. Place Fitted Sheet on Mattress

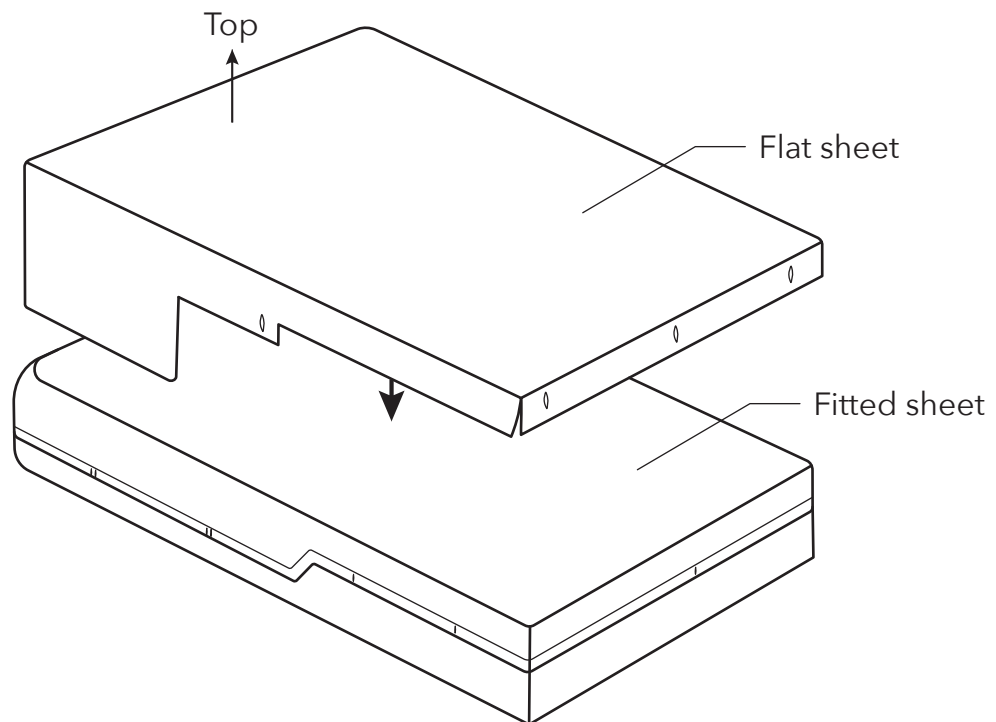
- Connect the Velcro Strips at the head of the Fitted Sheet with the horizontal Velcro Strip at the head of the Mattress Sleeve.



Assembly Step

3. Place Flat Sheet on Mattress

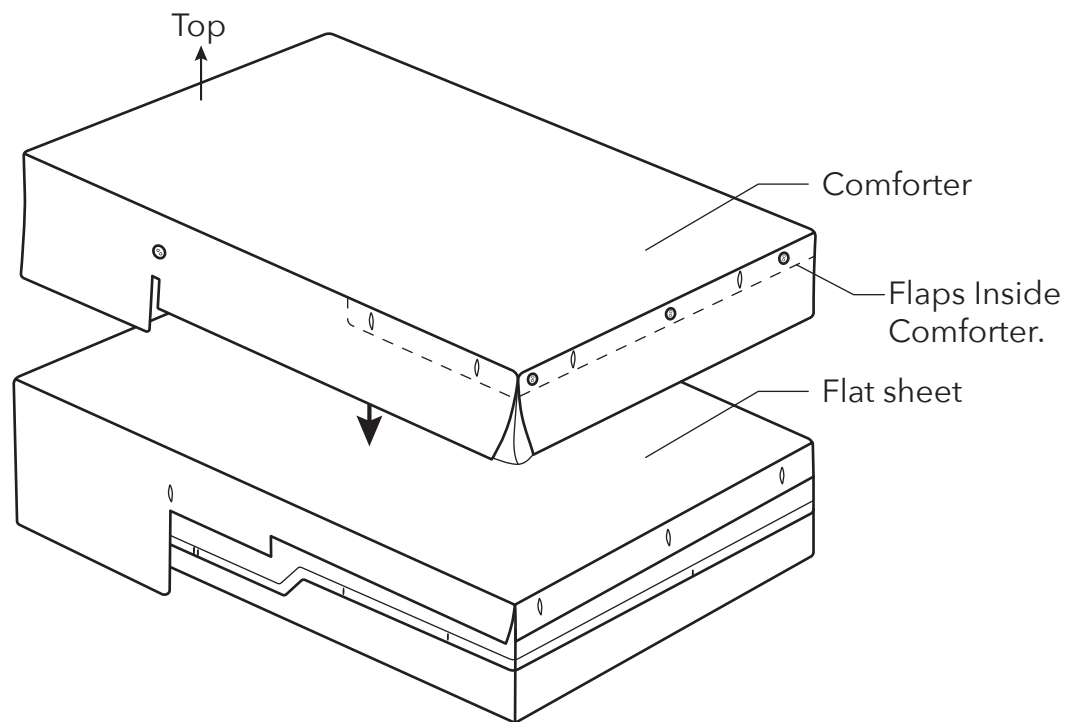
- Align the Flat Sheet on top of the Fitted Sheet.



Assembly Step

4. Place Comforter on Flat Sheet

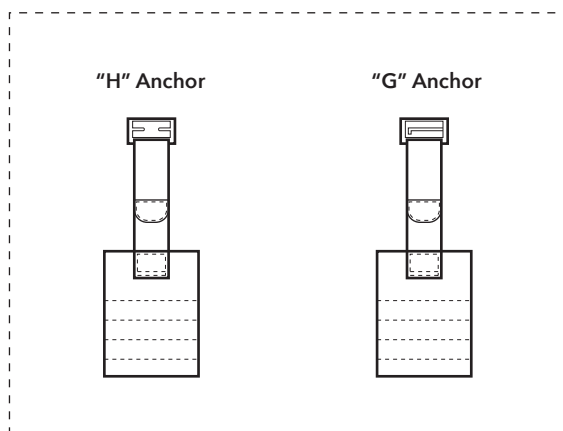
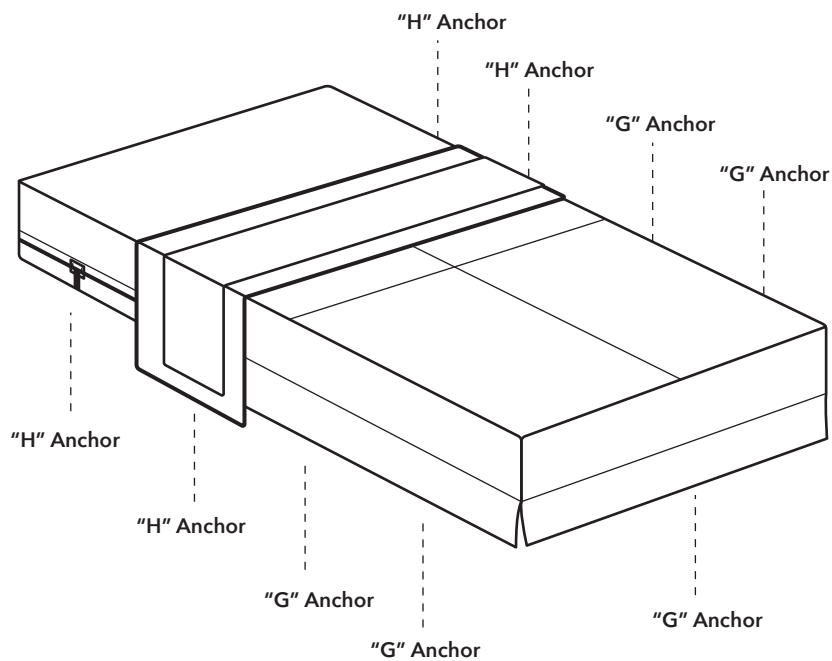
- Align the Comforter on top of the Flat Sheet.
- Utilize the three buttons located at the base of the Comforter to fasten the Flat Sheet to the Comforter.
- The buttons on the sides of the Comforter are not required for attachment and are considered optional.



Assembly Step

5. Place Anchor "H" and Anchor "G" under the mattress

- Lineup each of the 4 Anchor "H" with the buttonholes on the upper left and right of the Mattress. Insert the Anchor pads - 12" deep underneath the Mattress.
- Repeat the above steps with the remaining 5-6 buttonholes along the bottom half of the Mattress using Anchor "G"

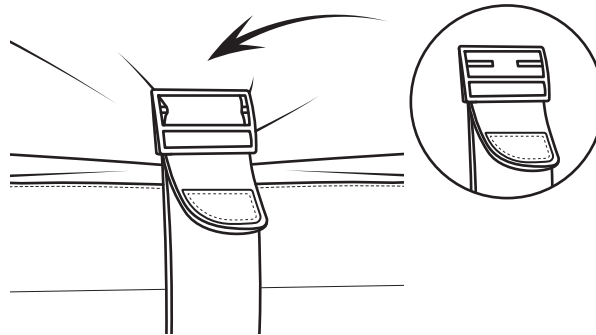


Assembly Step

6. Connect Anchor "H" and Anchor "G" Buckles to the Buttonholes on the Fitted Sheet and the Comforter as follows:

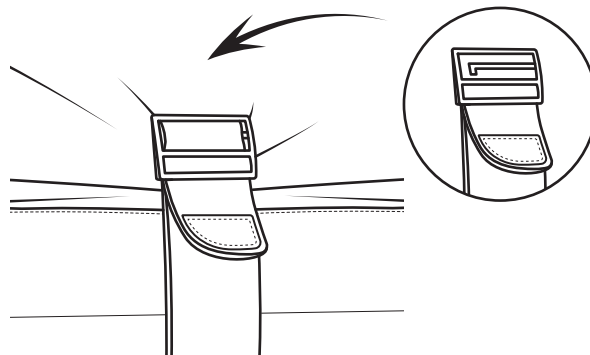
For H Buckles:

- Insert the left prong of the H Buckle into the left buttonhole and the right prong into the right buttonhole.



For G Buckles:

- Align the buttons on the Flaps inside the comforter with the buttonholes on the perimeter of the Fitted Sheet.
- Insert the prong of the G Buckle into the right buttonhole and then through the left buttonhole.
- Repeat this process for all Anchors around the bed perimeter.



Scan QR Code for additional Information and Install Instructions

Scroll to "How to Instructions" Section
| Follow Written and Video Instructions |

